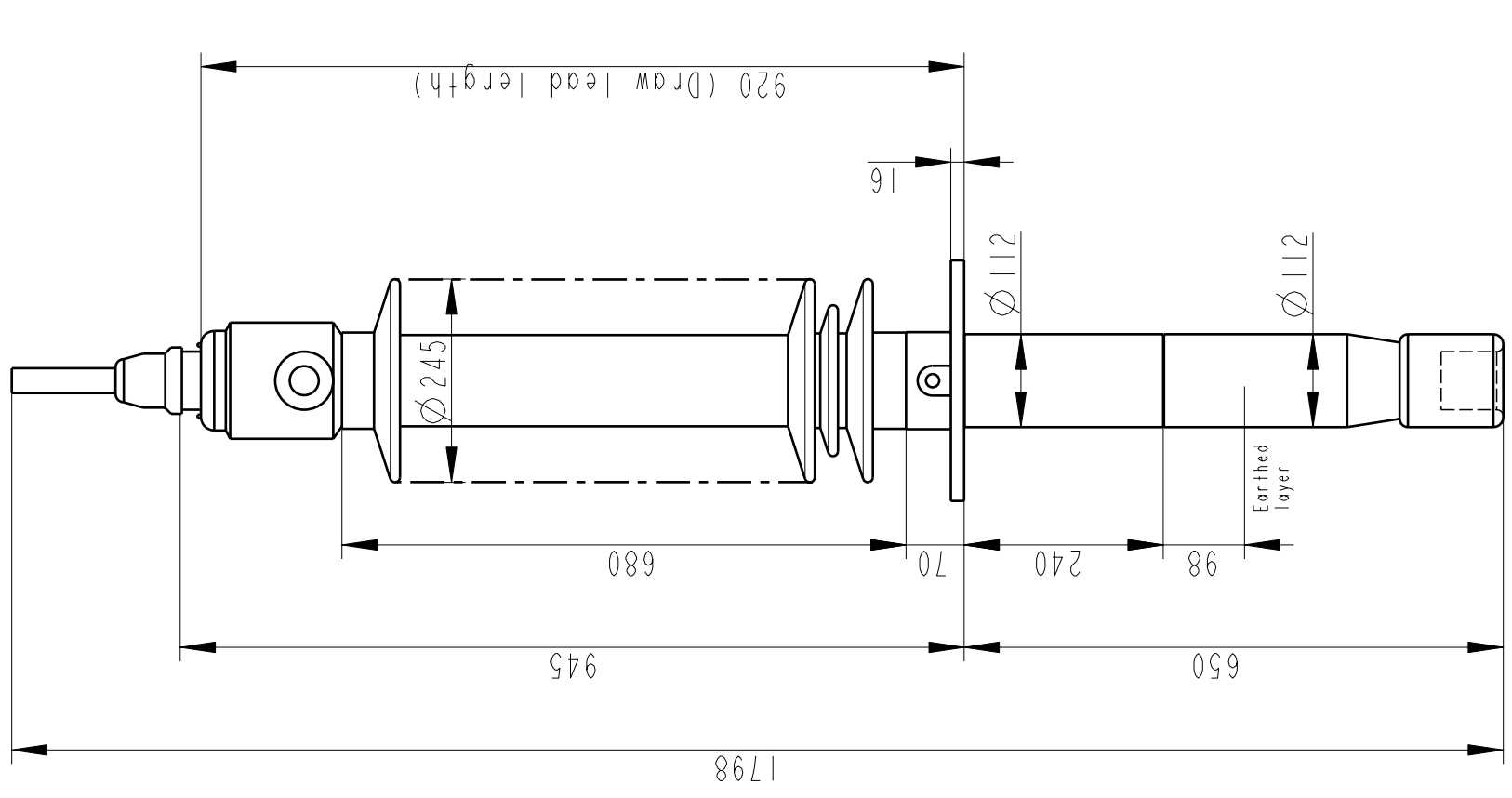
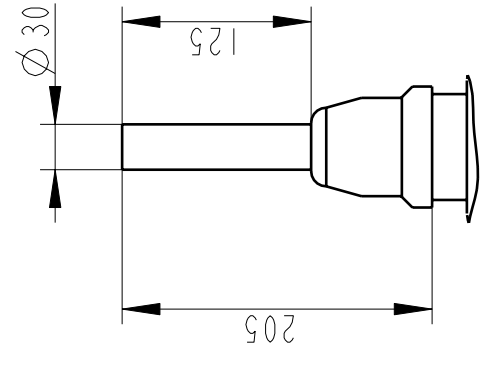


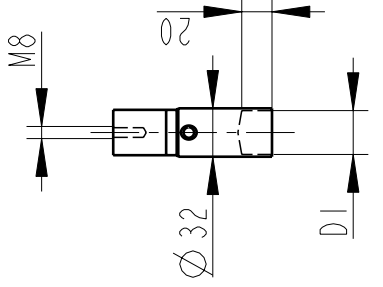
We reserve all rights in this document and in the information contained therein. Reproduction, use or disclosure to third parties without express authority ©ABB is strictly forbidden.



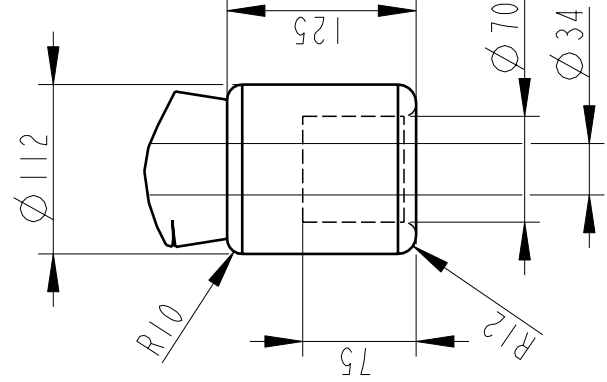
OUTER TERMINAL



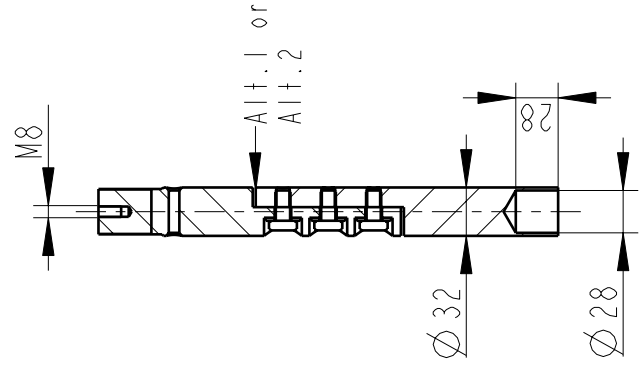
INNER TERMINAL FOR STRANDED CABLE



END SHIELD



SOLID ROD CONNECTOR



The solid rod can be divided either:
 Alt.1: 20mm below the bushing flange or
 Alt.2: 20mm below the upper end of the bottom porcelain

Bushing Data:

Rated Voltage	100	kV
Phase to Ground Voltage	72.5	kV
Dry Lightning Impulse 1,2/50µs	380	kV
Wet power frequency AC	150	kV
Routine test lmin dry 50Hz	162	kV
Rated Current	1250	A
Creepage Distance	2210±70	mm
Creepage Distance Protected	870	mm
Mass	41	kg

Ordering Data:

BUSHING	COLOUR AIR INSULATOR	
LF123102-M	BROWN	
-N	LIGHT GREY	
OUTER TERMINAL		
LF 170 002-B	Cu, Ø30, L=125	
LF 170 001-B	Al, Ø30, L=125	
OTHER TYPES ON REQUEST		
INNER TERMINAL FOR STRANDED CABLE		
For brazing	Conductor area	DI
LF 170 011-T	up to 285mm ²	Ø29
LF 170 011-V	Undrilled with pilot hole Ø5	
SOLID ROD CONNECTOR		
LF 170 052 -BN	for Alt.1	
LF 170 052 -BL	for Alt.2	

ABB Components Ludvika, Sweden	
No. U / S / AC	kv Ir A 50/60 Hz kv
M	kg L mm V
C1	pf Tan δ
C2	pf Tan δ

Based on	Reg. No.
Prepared	Responsible department
LÖVNORD	COM/BK
Approved	Take over department
Johansson	
Design engineering review	Database
Hedlund	

Title	Language
GOB 380-1250-0.3	
WITH OIL LEVEL GAUGE	
LONG END SHIELD	
Page	Page
	I(1)
Document No.	Document No.
	2751369-196